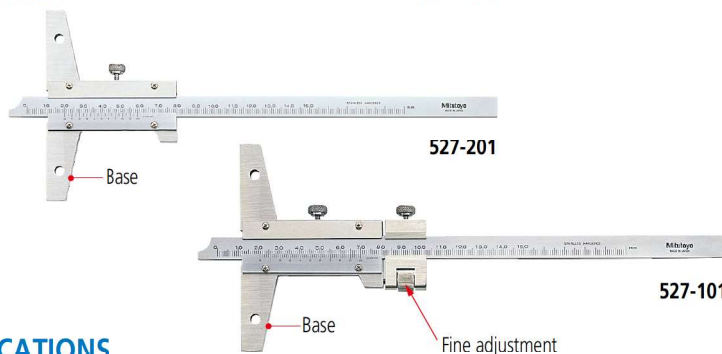


Vernier Depth Gauge SERIES 527

- Standard Vernier gage for depth measurement.
- Optional longer extension bases are available.



SPECIFICATIONS

Metric					
Code No.	Range (mm)	Minimum reading (mm)	Base (WxT) (mm)	Maximum permissible error E_{MPE} (mm)*	Remarks
527-201	0 - 150	0.05	100x6.5	±0.05	—
527-202	0 - 200			±0.08	—
527-203	0 - 300			±0.10	—
527-204	0 - 600		250x10	±0.10	—
527-205	0 - 1000			±0.15	—

Metric					
Code No.	Range (mm)	Minimum reading (mm)	Base (WxI) (mm)	Maximum permissible error E_{MPE} (mm)*	Remarks
527-101	0 - 150	0.02	100x6.5	±0.03	with fine adjustment
527-102	0 - 200			±0.04	
527-103	0 - 300			±0.05	
527-104	0 - 600		250x10	±0.05	
527-105	0 - 1000			±0.07	

Inch					
Code No.	Range (in)	Minimum reading (in)	Base (WxT) (in)	Maximum permissible error E_{MPE} (in)*	Remarks
527-111	0 - 6	0.001	3.93x0.25	±0.001	with fine adjustment
527-112	0 - 8			±0.0015	
527-113	0 - 12			±0.002	
527-114	0 - 24		9.8x0.39	±0.002	
527-115	0 - 40			±0.003	

* Maximum permissible error, E_{MPE} , is the term defined by ISO 13385-2:2011.

DIMENSIONS

